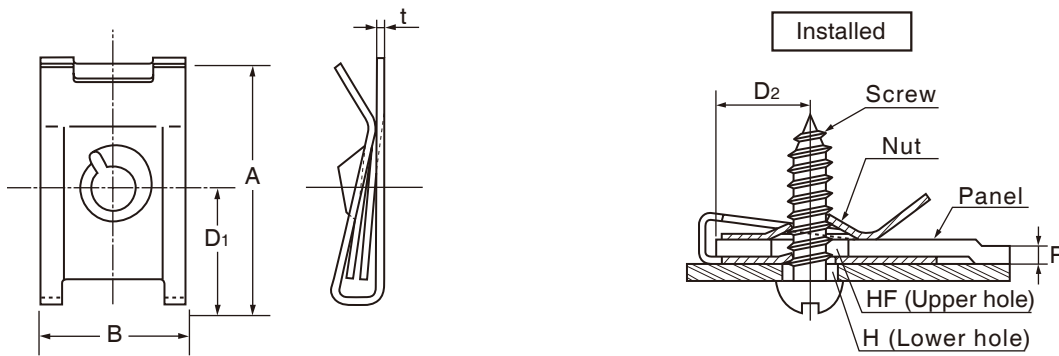


# U-Type Wide Plate Nut



Unit: mm

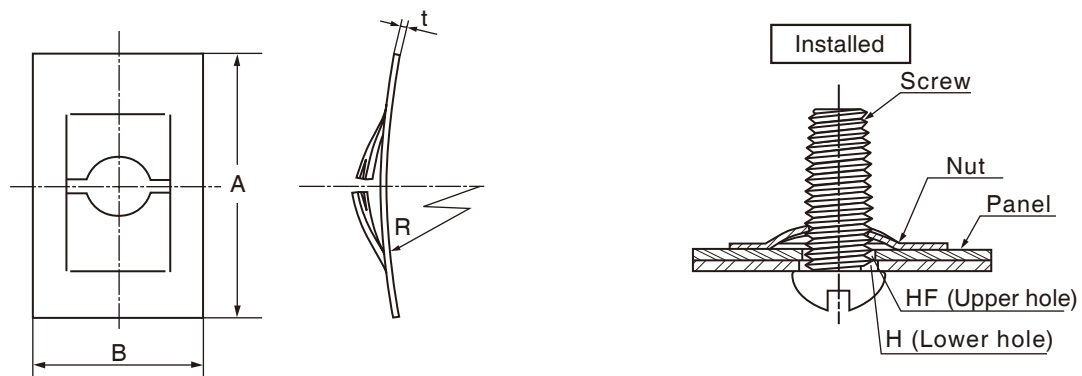
Size No.	Applicable screw (Note 1)	Nuts				Remarks	Panel size					
		A	B	D1	t		Float	P		D2	H	HF
								Min.	Max.			
WUSN-4039	4 - 18-thread	21.6	12.7	10.1	0.6	With	0.7	2.5	8	5	7	
4044	4 - 18-thread	16.6	13.5	8.6	0.6	Without	0.6	2	7	5	6	
5022	5 - 16-thread	21.7	12.7	10.2	0.7	With	0.7	3.1	8	6	8	
5025	5 - 16-thread	20.6	13.5	9.5	0.6	Without	0.6	3.8	8	6	7	
5029	5 - 16-thread	21.7	12.7	10.2	0.7	Without	2	3	8	6	7	

Material = Carbon spring steel

## Notes

1. Refer to the JIS standard for the thread size.
2. Our products with little marketability may not be in stock. When employing our products, consult with us for their availability.

# F-Type Plate Nut



Unit: mm

Size No.	Applicable screw (Note 1)	Nuts				Panel size	
		A	B	R	t	H	HF
FSN-3001	M3 × 0.5	16	10	40	0.3	3.2	4
4001	M4 × 0.7	20	13	50	0.4	4.3	5
5001	M5 × 0.8	20	13	50	0.45	5.3	6
6001	M6 × 1	20	13	50	0.5	6.4	7

Material = Carbon spring steel

## Notes

1. Refer to the JIS standard for the thread size.
2. Our products with little marketability may not be in stock. When employing our products, consult with us for their availability.

RETAINING RINGS

PUSH NUTS

WAVE WASHERS AND OTHERS

SCREW TYPE PLATE NUTS

SPRING PINS

SNAP PINS

JOINT CLIPS

JIGS