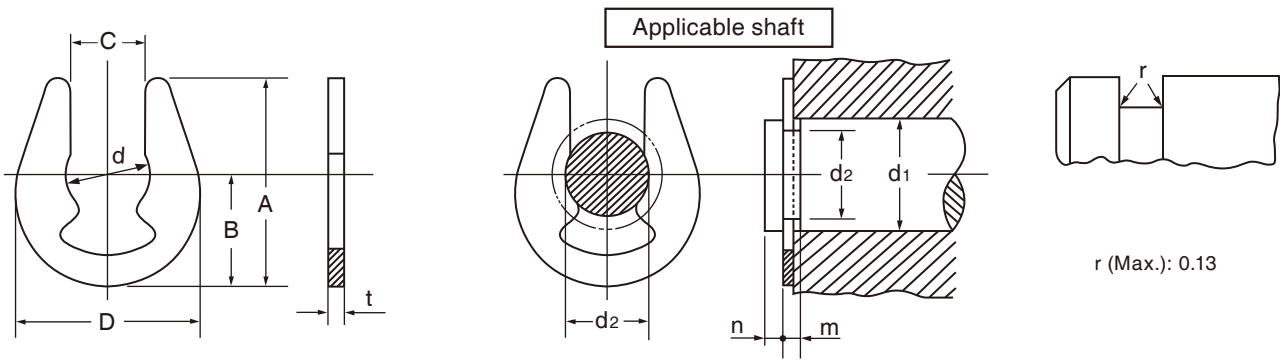


U-Ring



Unit: mm

Size No.	Retaining rings								Applicable shaft							
	d		A	D	C		B	t		Class of d ₁		d ₂		m		n (Min.)
	Basic	Tol.			Basic	Tol.		Basic	Tol.	Or over	Under	Basic	Tol.	Basic	Tol.	
UTW- 3.2	3.2		8.7	8	2.8		4.6	0.6		4	5	3.26		0.7		1
4	4	+0.03	10	9	3.6	0	5.3	0.7	±0.04	5	7	4.08	+0.05	0.8	+0.1 0	1.4
5	5	-0.1	12.8	11.6	4.4	-0.2	6.8	0.7		6	8	5.1	0	0.8		1.4
6	6	+0.05	14.8	13.5	5.3	0	8	0.7		7	9	6.1	+0.08	0.8		1.4
7	7	-0.15	17	15	6.2	-0.3	9	0.9	±0.05	8	11	7.1	0	1	1.4	
8	8	+0.05 -0.2	19.5	17.5	7.1		10.5	1		9	12	8.1		1.1	1.4	

Material = Carbon spring steel Hardness = 44 through 52HRC, Finish = Phosphate coating (ACP)

Notes

1. Our products with little marketability may not be in stock. When employing our products, consult with us for their availability.
2. It will be packaged in small bags or stack packaging.